



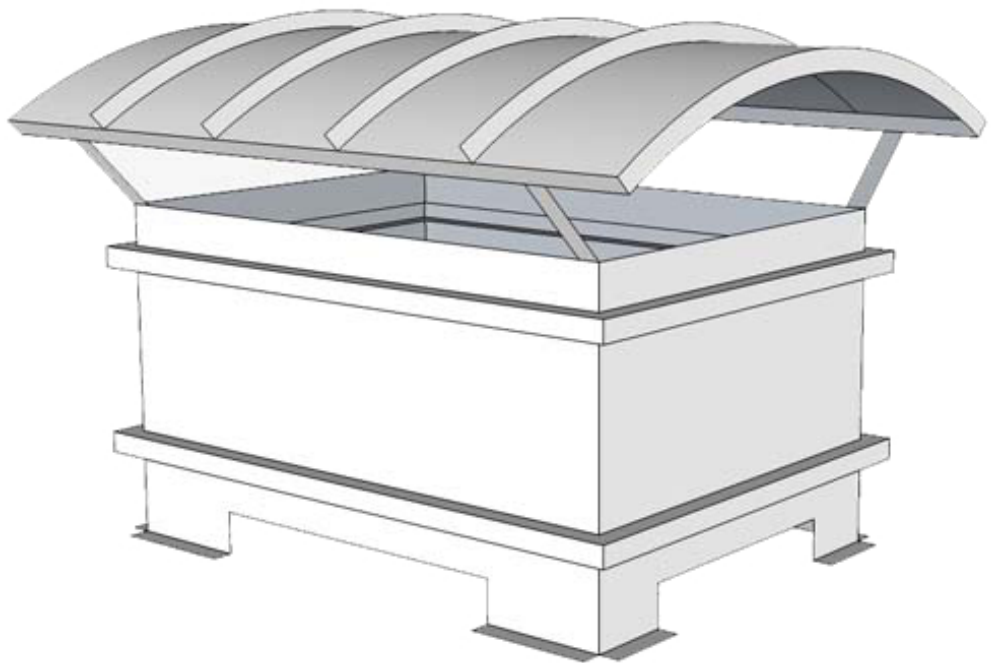
South Island Call: 250-652-5523
 South Island Fax: 250-652-5169

Cowichan Valley Call: 250-929-1110
 Cowichan Valley Fax: 250-929-1111

WING CHIMNEY CAP

FROM: _____		Email: _____	
PURCHASE ORDER #: _____		ATTN: _____	
CUST. / JOB NAME: _____		ORDERED BY: _____	
ORDER DATE: _____		SENDER PHONE #: _____	
DATE REQUIRED: _____		SENDER FAX #: _____	

WING



Quant: _____

Width: _____

Length: _____

Height: _____

- Black
- Brown
- Charcoal
- Satin Coat
- Copper 16 oz
- Other: _____ (specify)

Call for Quote: \$ _____

Office Use Only

DELIVER _____ PICKUP _____ INSTALL _____

Gauge Used: _____ Colour: _____ Stretch Out: _____ Shop Time: _____