



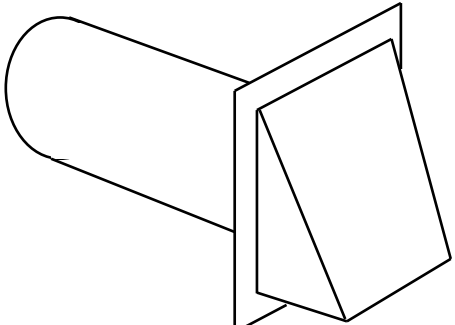
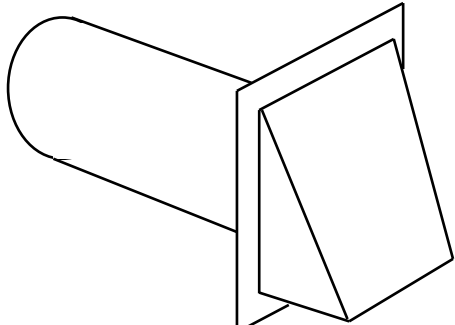
CUSTOMER ORDER FORM - Wall Vent

From Victoria Phone: 250-652-5523 From Victoria Fax: 250-652-5169
 From Duncan Phone: 250-929-1110 From Duncan Fax: 250-929-1111

FROM: _____		Email: _____	
PURCHASE ORDER #: _____		ATTN: _____	
CUST. / JOB NAME: _____		ORDERED BY: _____	
ORDER DATE: _____		SENDER PHONE #: _____	
DATE REQUIRED: _____		SENDER FAX #: _____	

MATERIAL / COLOR: _____	GAUGE: _____	QUANTITY: _____
--------------------------------	---------------------	------------------------

Item # : 35	Description: Wall Vent
--------------------	-------------------------------

<p>STANDARD SIZES:</p> <p style="margin-left: 20px;"><u>Pipe x Length</u></p> <table style="width: 100%; border: none;"> <tr> <td style="width: 20%;">3" Pipe x 8"</td> <td style="width: 15%; border: 1px solid black; height: 15px;"></td> <td style="width: 20%;">1/4" Screen</td> <td style="width: 15%; border: 1px solid black; height: 15px;"></td> <td style="width: 30%;"></td> </tr> <tr> <td>4" Pipe x 8"</td> <td style="border: 1px solid black; height: 15px;"></td> <td>Damper</td> <td style="border: 1px solid black; height: 15px;"></td> <td></td> </tr> <tr> <td>5" Pipe x 8"</td> <td style="border: 1px solid black; height: 15px;"></td> <td></td> <td></td> <td></td> </tr> <tr> <td>6" Pipe x 8"</td> <td style="border: 1px solid black; height: 15px;"></td> <td></td> <td></td> <td></td> </tr> </table> <div style="text-align: center; margin-top: 20px;">  </div>	3" Pipe x 8"		1/4" Screen			4" Pipe x 8"		Damper			5" Pipe x 8"					6" Pipe x 8"					<p>CUSTOM <input type="checkbox"/></p> <table style="width: 100%; border: none;"> <tr> <td style="width: 20%;">_____ " Pipe Diam.</td> <td style="width: 15%;"></td> <td style="width: 20%;">1/4" Screen</td> <td style="width: 15%; border: 1px solid black; height: 15px;"></td> <td style="width: 30%;"></td> </tr> <tr> <td>_____ " Pipe Length</td> <td></td> <td>Damper</td> <td style="border: 1px solid black; height: 15px;"></td> <td></td> </tr> </table> <div style="text-align: center; margin-top: 20px;">  </div>	_____ " Pipe Diam.		1/4" Screen			_____ " Pipe Length		Damper		
3" Pipe x 8"		1/4" Screen																													
4" Pipe x 8"		Damper																													
5" Pipe x 8"																															
6" Pipe x 8"																															
_____ " Pipe Diam.		1/4" Screen																													
_____ " Pipe Length		Damper																													

Special Instructions	DELIVER _____ PICKUP _____ INSTALL _____
----------------------	--