

CUSTOMER ORDER FORM - Single S-Clip

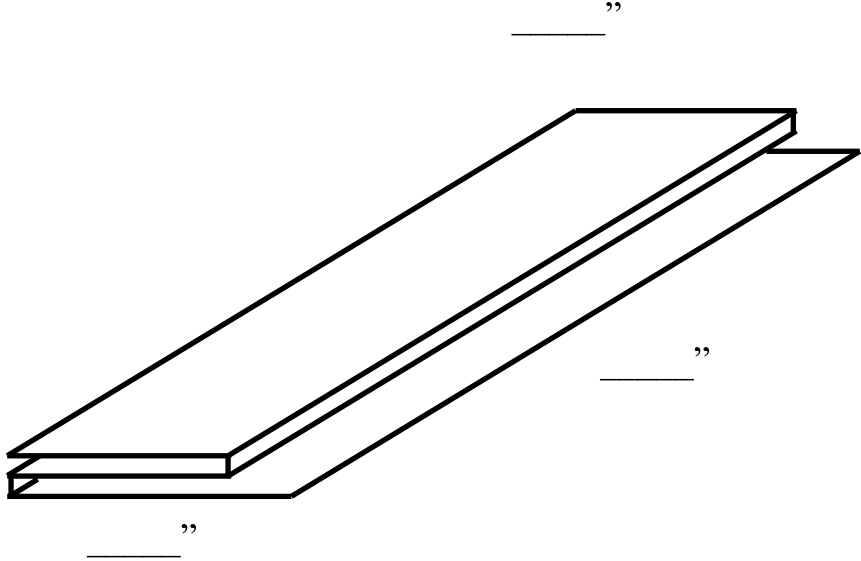
Phone from Victoria: 250-652-5523
 Phone from Duncan: 250-929-1110

Fax from Victoria: 250-652-5169
 Fax from Duncan: 250-929-1111

FROM: _____ **Email:** _____

PURCHASE ORDER #: _____	ATTN: _____
CUST. / JOB NAME: _____	ORDERED BY: _____
ORDER DATE: _____	SENDER PHONE #: _____
DATE REQUIRED: _____	SENDER FAX #: _____

<i>MATERIAL / COLOR:</i> _____	<i>GAUGE:</i> _____	<i>QUANTITY:</i> _____
--------------------------------	---------------------	------------------------

Item # : 19B	Description: Single S-Clip
<p>CUSTOM SIZES ONLY</p> <div style="text-align: center; margin-top: 20px;">  <p style="margin: 0;">_____”</p> <p style="margin: 0;">_____”</p> <p style="margin: 0;">_____”</p> </div>	
Notes:	Sold By: