



South Island Call: 250-652-5523
 South Island Fax: 250-652-5169

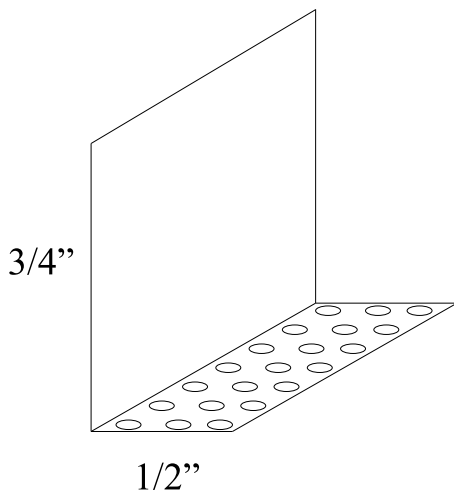
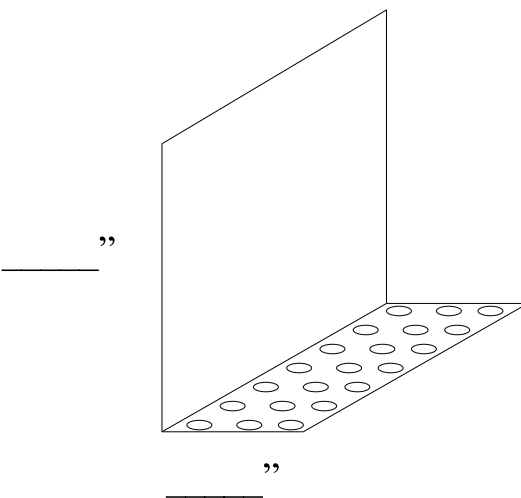
Cowichan Valley Call: 250-929-1110
 Cowichan Valley Fax: 250-929-1111

PERFORATED ALUMINUM L-MOULD

FROM: _____	Email: _____
PURCHASE ORDER #: _____	ATTN: _____
CUST. / JOB NAME: _____	ORDERED BY: _____
ORDER DATE: _____	SENDER PHONE #: _____
DATE REQUIRED: _____	SENDER FAX #: _____

MATERIAL / COLOR: Perforated	.	GAUGE: _____	LINEAR FOOTAGE: _____
------------------------------	---	--------------	-----------------------

Item # : 44	PERFORATED ALUMINUM L-MOULD
--------------------	------------------------------------

<p>STANDARD <input type="checkbox"/></p>  <p style="text-align: center;">3/4"</p> <p style="text-align: center;">1/2"</p>	<p>CUSTOM <input type="checkbox"/></p>  <p style="text-align: center;">_____ "</p> <p style="text-align: center;">_____ "</p>
--	---

Office Use Only	DELIVER _____ PICKUP _____ INSTALL _____
Gauge Used: _____ Colour: _____ Stretch Out: _____ Shop Time: _____	