

CUSTOMER ORDER FORM - Perforated Aluminum L-Mould

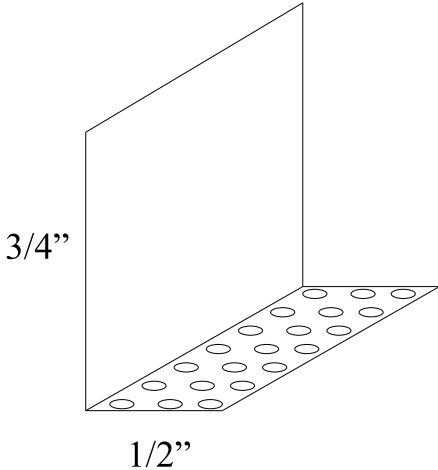
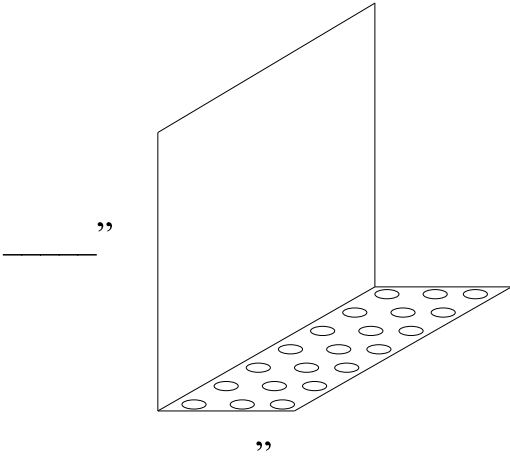
Phone from Victoria: 250-652-5523
 Phone from Duncan: 250-929-1110

Fax from Victoria: 250-652-5169
 Fax from Duncan: 250-929-1111

FROM: _____ Email: _____

PURCHASE ORDER #: _____	ATTN: _____
CUST. / JOB NAME: _____	ORDERED BY: _____
ORDER DATE: _____	SENDER PHONE #: _____
DATE REQUIRED: _____	SENDER FAX #: _____

MATERIAL / COLOR: Perforated	GAUGE: _____	LINEAR FOOTAGE: _____
-------------------------------------	---------------------	------------------------------

Item # : 44	Description: Perforated Aluminum L-Mould
<p>STANDARD <input type="checkbox"/></p>  <p>3/4" 1/2"</p>	<p>CUSTOM <input type="checkbox"/></p>  <p>____" ____"</p>
Notes:	
Sold By:	