



CUSTOMER ORDER FORM - Mach 4 Standard Vent

From Victoria Phone: 250-652-5523 From Victoria Fax: 250-652-5169
 From Duncan Phone: 250-929-1110 From Duncan Fax: 250-929-1111

FROM: _____		Email: _____	
PURCHASE ORDER #: _____		ATTN: _____	
CUST. / JOB NAME: _____		ORDERED BY: _____	
ORDER DATE: _____		SENDER PHONE #: _____	
DATE REQUIRED: _____		SENDER FAX #: _____	

MATERIAL / COLOR: _____	GAUGE: <u>26</u>	QUANTITY: _____
-------------------------	------------------	-----------------

Item # : 63	Mach 4 Standard Vent
--------------------	-----------------------------

STANDARD:

CUSTOM SIZE – NEXT PAGE

1/4" Screen

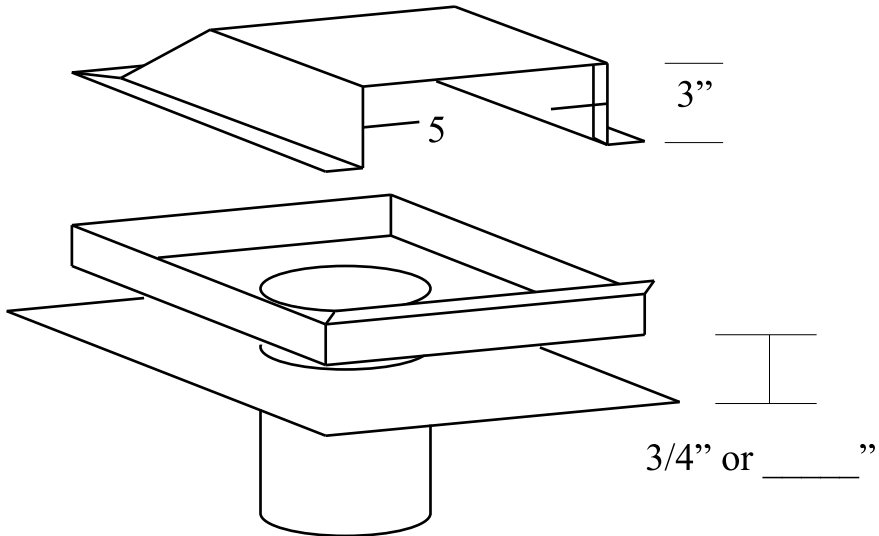
Damper

Base = 8" x 7 3/4"

Pipe x Length

4" Pipe x _____"

5" Pipe x _____"



Special Instructions

DELIVER _____ PICKUP _____ INSTALL _____