



CUSTOMER ORDER FORM - Mach 4 Custom Vent

From Victoria Phone: 250-652-5523 From Victoria Fax: 250-652-5169
 From Duncan Phone: 250-929-1110 From Duncan Fax: 250-929-1111

FROM: _____		Email: _____
PURCHASE ORDER #: _____	ATTN: _____	
CUST. / JOB NAME: _____	ORDERED BY: _____	
ORDER DATE: _____	SENDER PHONE #: _____	
DATE REQUIRED: _____	SENDER FAX #: _____	

MATERIAL / COLOR: _____	GAUGE: _____	QUANTITY: _____
-------------------------	--------------	-----------------

Item # : 63A	Mach 4 Custom
---------------------	---------------

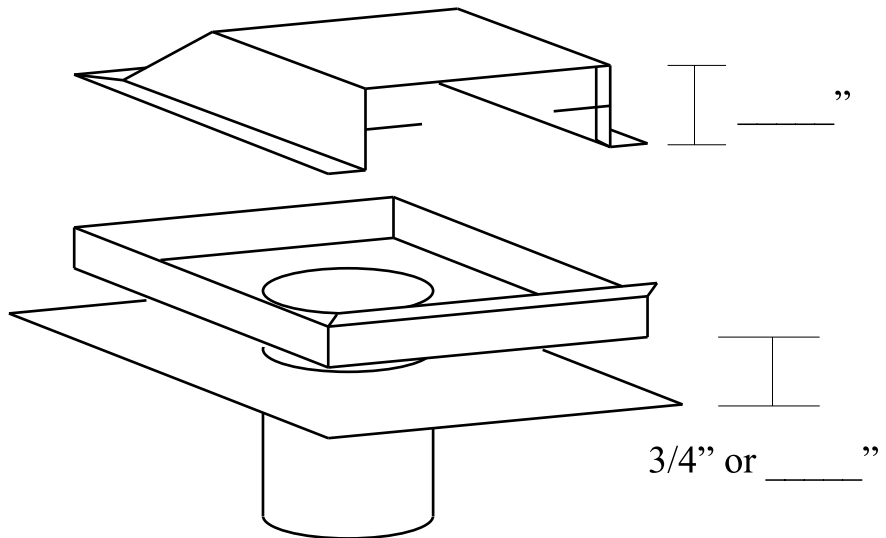
CUSTOM:

1/4" Screen
 Damper

Base = _____" x _____"

Pipe Diameter x Length

_____ " Pipe x _____"



Special Instructions

DELIVER _____ PICKUP _____ INSTALL _____