

CUSTOMER ORDER FORM - Louvered Vent

Phone from Victoria: 250-652-5523
Phone from Duncan: 250-929-1110

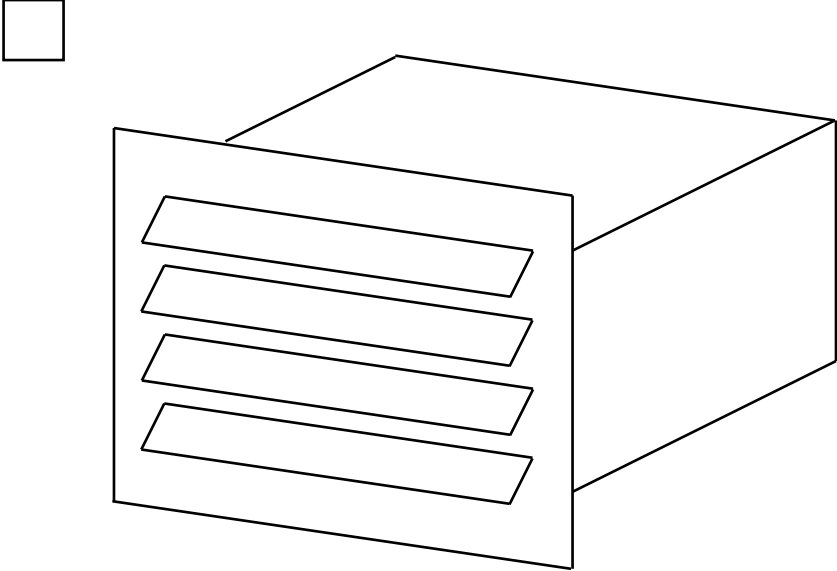
Fax from Victoria: 250-652-5169
Fax from Duncan: 250-929-1111

FROM: _____

Email: _____

PURCHASE ORDER #: _____	ATTN: _____
CUST. / JOB NAME: _____	ORDERED BY: _____
ORDER DATE: _____	SENDER PHONE #: _____
DATE REQUIRED: _____	SENDER FAX #: _____

MATERIAL / COLOR: _____	GAUGE: _____	QUANTITY: _____
--------------------------------	---------------------	------------------------

Item # : 40	Description: Louvered Vent
<p>STANDARD SIZES ONLY:</p> <p>5" x 5" <input type="checkbox"/></p> 	
Notes:	Sold By: