



The Professionals Choice

THE IBIX

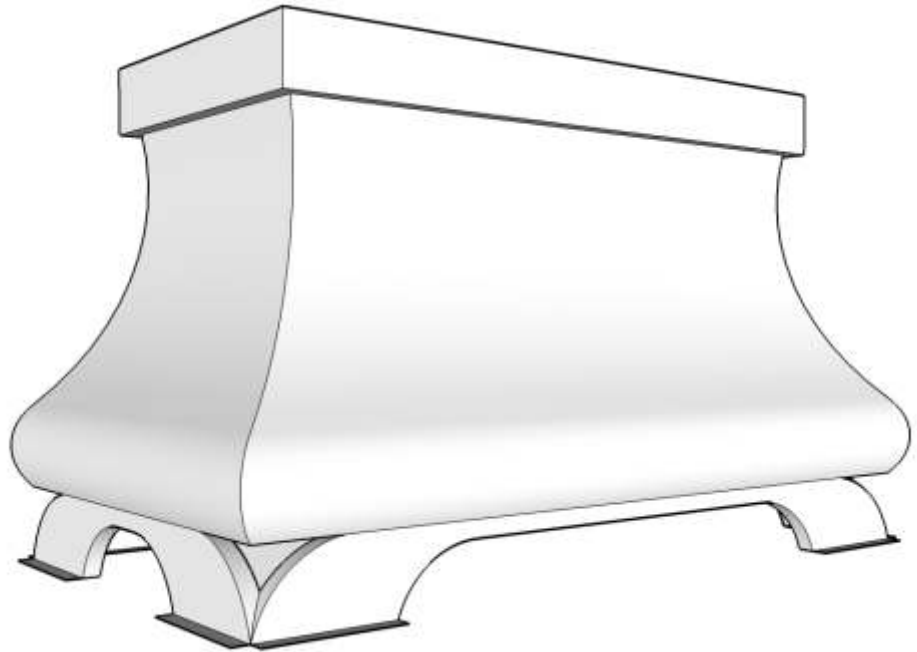


Phone from Victoria: 250-652-5523
 Phone from Duncan: 250-929-1110

Fax from Victoria: 250-652-5169
 Fax from Duncan: 250-929-1111

FROM: _____		Email: _____	
PURCHASE ORDER #: _____		ATTN: _____	
CUST. / JOB NAME: _____		ORDERED BY: _____	
ORDER DATE: _____		SENDER PHONE #: _____	
DATE REQUIRED: _____		SENDER FAX #: _____	

THE IBIX



Quant: _____

Width: Base: _____ Top: _____

Length: Base: _____ Top: _____

Height: Base: _____ Top: _____

- Black
- Brown
- Charcoal
- Satin Coat
- Copper 16 oz
- Other: _____ (specify)

Call for Quote: \$ _____

Office Use Only

Gauge Used: _____ Final Color: _____ Stretch Outs: _____ Time: _____