

# CUSTOMER ORDER FORM - Gutter Diverter

Phone from Victoria: 250-652-5523  
 Phone from Duncan: 250-929-1110

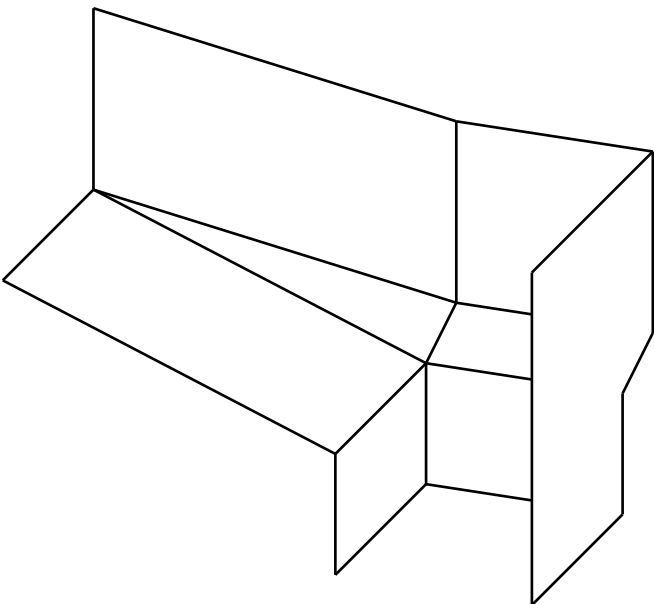
Fax from Victoria: 250-652-5169  
 Fax from Duncan: 250-929-1111

**FROM:** \_\_\_\_\_

**Email:** \_\_\_\_\_

<b>PURCHASE ORDER #:</b> _____	<b>ATTN:</b> _____
<b>CUST. / JOB NAME:</b> _____	<b>ORDERED BY:</b> _____
<b>ORDER DATE:</b> _____	<b>SENDER PHONE #:</b> _____
<b>DATE REQUIRED:</b> _____	<b>SENDER FAX #:</b> _____

<i>MATERIAL / COLOR:</i> _____	<i>GAUGE:</i> _____	<i>QUANTITY:</i> _____
--------------------------------	---------------------	------------------------

Item # : <b>59</b>	Description: <b>Gutter Diverter</b>
<p>CUSTOM SIZES ONLY</p> <div style="display: flex; justify-content: space-between; align-items: center; margin-top: 20px;"> <div style="width: 45%;"> <p>This is an example of one style only.                      Gutter Diverters are custom made to                      your exact specifications and                      design needs.</p> <p>Please contact us for ordering.</p> </div> <div style="width: 45%; text-align: center;">  </div> </div>	
<b>Notes:</b> _____	<b>Sold By:</b> _____