



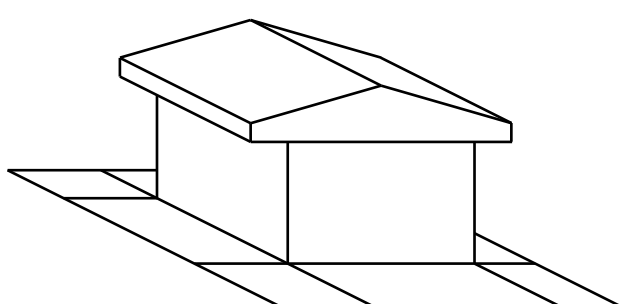
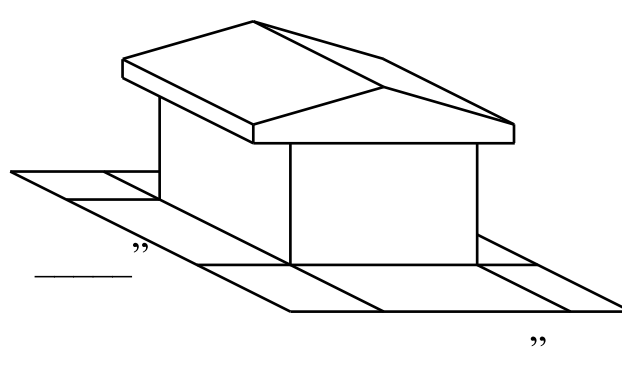
# CUSTOMER ORDER FORM - Commercial Vent with 1/4" Screen

From Victoria Phone: 250-652-5523 From Victoria Fax: 250-652-5169  
 From Duncan Phone: 250-929-1110 From Duncan Fax: 250-929-1111

<b>FROM:</b> _____	<b>Email:</b> _____
<b>PURCHASE ORDER #:</b> _____	<b>ATTN:</b> _____
<b>CUST. / JOB NAME:</b> _____	<b>ORDERED BY:</b> _____
<b>ORDER DATE:</b> _____	<b>SENDER PHONE #:</b> _____
<b>DATE REQUIRED:</b> _____	<b>SENDER FAX #:</b> _____

<i>MATERIAL / COLOR:</i> _____ Galvanized _____	<i>GAUGE:</i> _____ 26 _____	<i>QUANTITY:</i> _____
-------------------------------------------------	------------------------------	------------------------

<b>Item # : 32</b>	<b>Commercial Vent w/1/4 inch screen</b>
--------------------	------------------------------------------

<p><b>STANDARD SIZE:</b></p> <p>12" x 12" <input type="checkbox"/></p> 	<p><b>CUSTOM</b> <input type="checkbox"/></p> 
------------------------------------------------------------------------------------------------------------------------------------------------------------	------------------------------------------------------------------------------------------------------------------------------------

Special Instructions	DELIVER _____ PICKUP _____ INSTALL _____
----------------------	------------------------------------------