

CUSTOMER ORDER FORM - Cant Strip w/Trailer

Phone from Victoria: 250-652-5523
 Phone from Duncan: 250-929-1110

Fax from Victoria: 250-652-5169
 Fax from Duncan: 250-929-1111

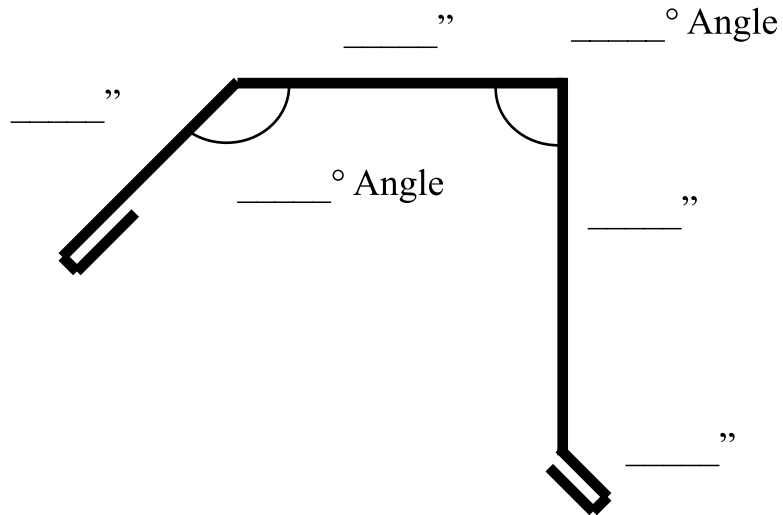
FROM: _____ **Email:** _____

PURCHASE ORDER #: _____	ATTN: _____
CUST. / JOB NAME: _____	ORDERED BY: _____
ORDER DATE: _____	SENDER PHONE #: _____
DATE REQUIRED: _____	SENDER FAX #: _____

<i>MATERIAL / COLOR:</i> _____	<i>GAUGE:</i> _____	<i>LINEAR FOOTAGE:</i> _____
--------------------------------	---------------------	------------------------------

Item # : 23	Description: Cant Strip with Trailer
--------------------	---

CUSTOM SIZES ONLY



For Corners, S-Locks, Hook strip etc. see accessories section of this catalog.

Notes:	Sold By: