



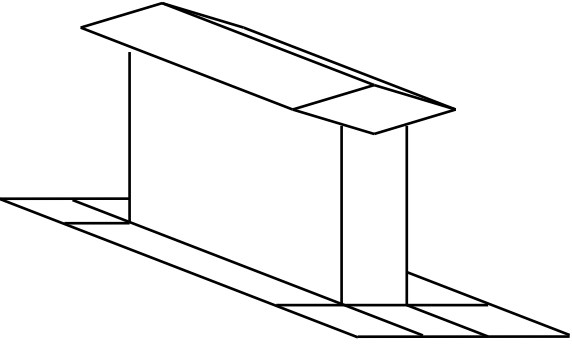
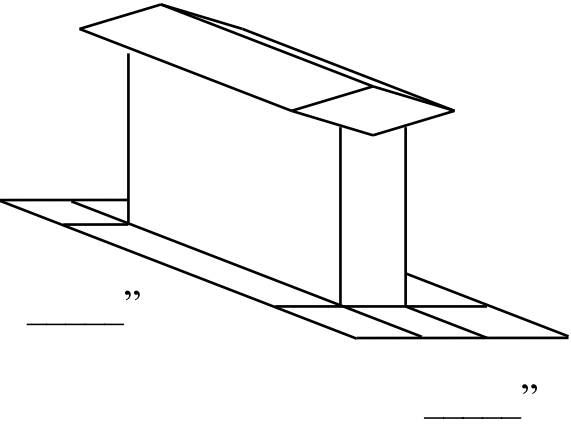
CUSTOMER ORDER FORM - Apartment Vent w/1/4" Screen

From Victoria Phone: 250-652-5523 From Victoria Fax: 250-652-5169
 From Duncan Phone: 250-929-1110 From Duncan Fax: 250-929-1111

FROM: _____		Email: _____	
PURCHASE ORDER #: _____		ATTN: _____	
CUST. / JOB NAME: _____		ORDERED BY: _____	
ORDER DATE: _____		SENDER PHONE #: _____	
DATE REQUIRED: _____		SENDER FAX #: _____	

MATERIAL / COLOR: <u>Galvanized</u>	GAUGE: <u>26</u>	QUANTITY: _____
--	-------------------------	------------------------

Item # : 31	Apartment Vent w/1/4 inch screen
--------------------	----------------------------------

<p>STANDARD SIZE:</p> <p>4 1/2" x 13" <input type="checkbox"/></p> 	<p>CUSTOM <input type="checkbox"/></p> 
---	--

Special Instructions	DELIVER _____ PICKUP _____ INSTALL _____
----------------------	--