



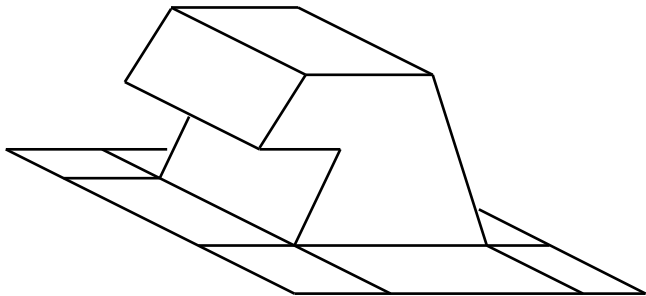
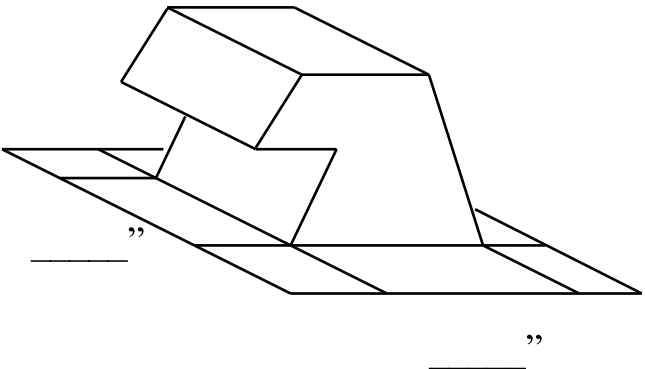
CUSTOMER ORDER FORM - Gooseneck Roof Vent w/ 1/4" Screen

From Victoria Phone: 250-652-5523 From Victoria Fax: 250-652-5169
 From Duncan Phone: 250-929-1110 From Duncan Fax: 250-929-1111

FROM: _____		Email: _____
PURCHASE ORDER #: _____	ATTN: _____	
CUST. / JOB NAME: _____	ORDERED BY: _____	
ORDER DATE: _____	SENDER PHONE #: _____	
DATE REQUIRED: _____	SENDER FAX #: _____	

MATERIAL / COLOR: _____ Galvanized _____	GAUGE: _____ 26 _____	QUANTITY: _____
---	------------------------------	------------------------

Item # : 33	Gooseneck Roof Vent with 1/4 inch screen
--------------------	---

<p>STANDARD SIZE:</p> <p>10 1/2" x 8" <input type="checkbox"/></p> 	<p>CUSTOM <input type="checkbox"/></p> 
---	--

Special Instructions	DELIVER _____ PICKUP _____ INSTALL _____
-----------------------------	---